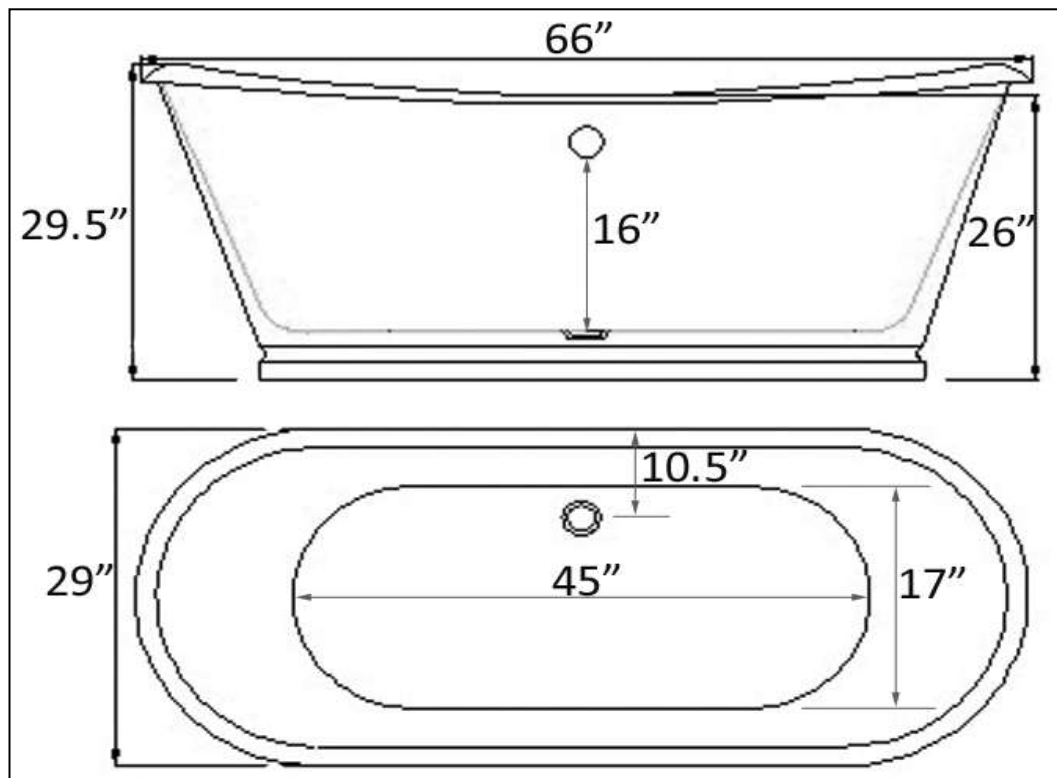


Penhaglion Inc.
4773 58th Avenue North
St. Petersburg
Florida, USA 33714



www.penhaglion.com
1.888.397.7477

ITEM **NH-1008** **Package Presentations;** Lindisfarne, Cleeve, Newminster, Bardney, St. Helen's, Canons Ashby, Castle Acre, Furness, Hailes, Milton, Pershore, Tintern & Whitland
Artisan Finished Cast Iron Tub



Lindisfarne Bath Tub

Weight Empty	562 lbs
Weight Crated	612 lbs
Gallons to Overflow	61
Weight Filled	1071 lbs

Requires either a wall mounted or free standing faucet/tub filler.

Meets or Exceeds ANSI Z123.1.2-2005; CSA B45.0-02 & CSA B45.5-02

Dimensions are approximate to the nearest 1/2"

